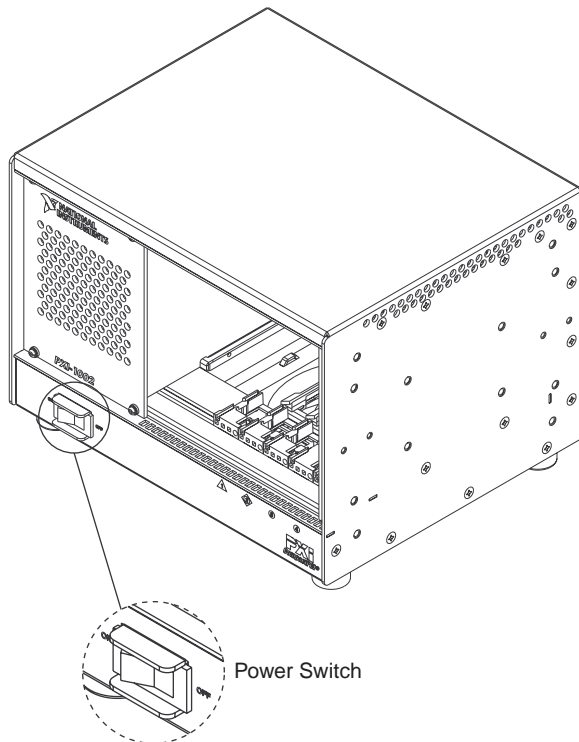


# Getting Started with Your PXI™ -1002

**1**      **Unpack your PXI-1002 chassis and documentation.**

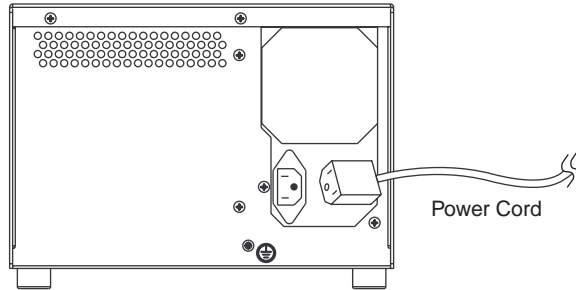
**2**      **Power off the chassis.**



# 3

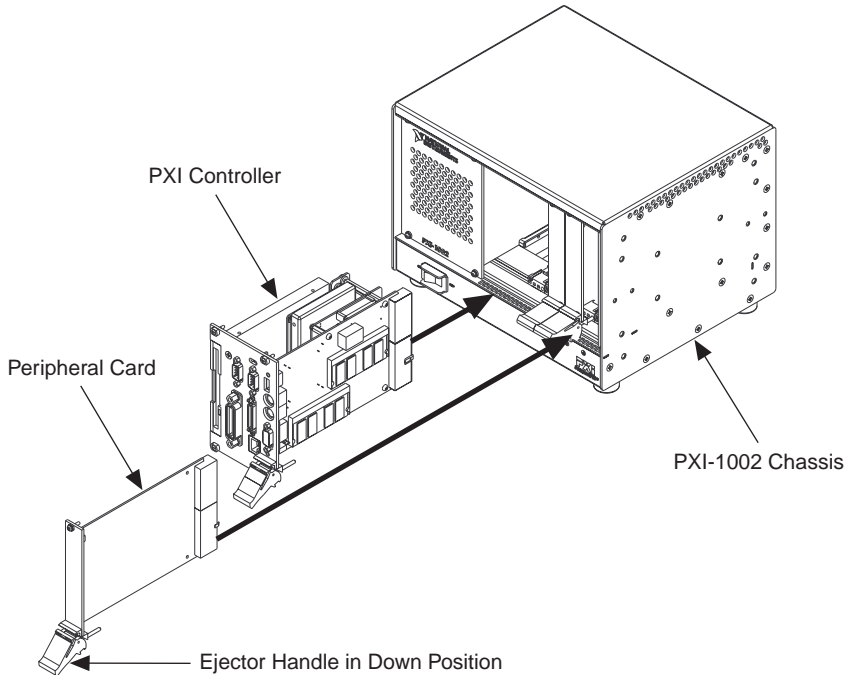
## Plug in the AC power cord.

(Power cords are available from National Instruments, or use a power cord that meets the requirements of ANSI/UL817 for use in the United States, CSA C22.2 21 and 49 for use in Canada, and IEC 227 or 245 for use in the European Union. AC mains power supply cords used with the PXI-1002 in other countries must be approved by the authority having jurisdiction in that country.)



# 4

## Install your controller in Slot 1 of your PXI-1002. Install peripheral cards, if any, in slots 2 through 4.

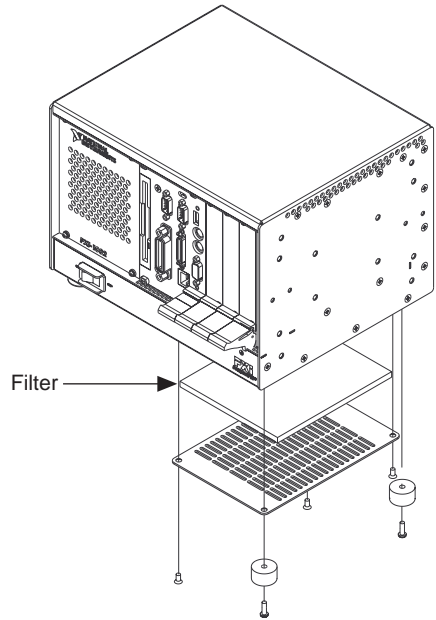


# 5

## Power on the chassis.

# Maintenance

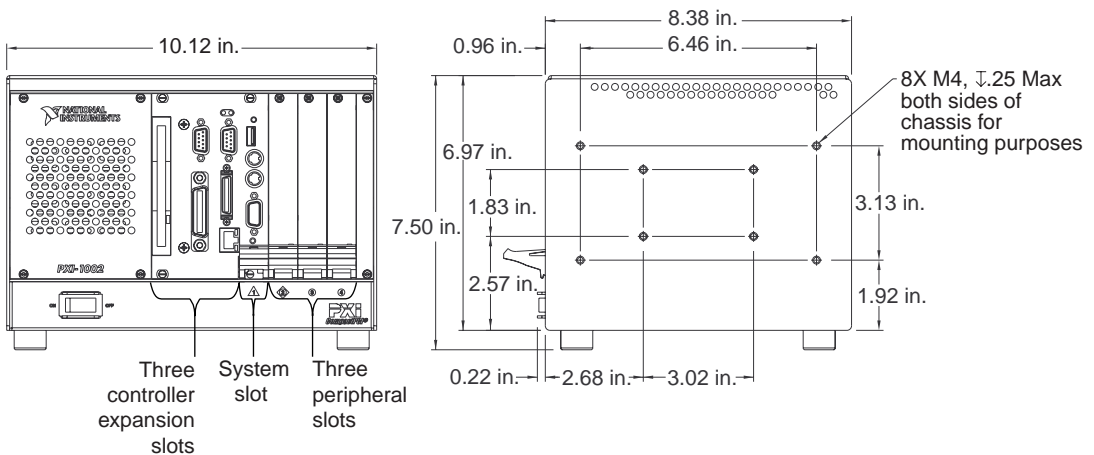
To clean filters, remove five screws, two rubber feet, and panel as shown. Remove filter and clean by washing it in a mild soap solution and rinse. Allow to dry before reinstalling filter, panel, feet, and screws.



# Dimensions and Mounting Holes

Below are the PXI-1002 dimensions and mounting holes for the optional rack mount kit (available from National Instruments).

**Note:** To facilitate power supply and module cooling, place the PXI-1002 on a bench top or instrument rack so that other equipment is kept a minimum of 3.0 in. (76.2 mm) from air inlets and outlets.



# For Your Safety



**Caution** Before undertaking any troubleshooting, maintenance, or exploratory procedure, read carefully the WARNING and CAUTION notices.

This equipment contains voltage hazardous to human life and safety, and is capable of inflicting personal injury.

- **Mainframe Grounding**—The PXI-1002 requires a connection from the premise wire safety ground to the PXI-1002 chassis ground. The earth safety ground must be connected during use of this equipment to minimize shock hazards.
- **Live Circuits**—Operating personnel and service personnel must not remove protective covers when operating or servicing the PXI-1002.
- **Explosive Atmosphere**—Do *not* operate the mainframe in conditions where flammable gases are present. Under such conditions this equipment is unsafe and may ignite the gases or gas fumes.
- **Modification**—Do *not* modify any part of the mainframe from its original condition. Unsuitable modifications may result in safety hazards.

## Connecting Safety Ground



**Warning** The PXI-1002 chassis is designed with a three-position NEMA 15-5 style plug that connects the ground line to the chassis ground. To minimize shock hazard, make sure your electrical power outlet has an appropriate earth safety ground that is connected whenever you power up the chassis.

If your power outlet does *not* have an appropriate ground connection, you must connect the premise wire safety ground to the chassis grounding screw located on the rear panel. To connect the safety ground, complete the following steps:

1. Connect a 16 AWG (1.3 mm) wire to the chassis grounding screw on the rear of the chassis using a toothed grounding lug. The wire must have green insulation with a yellow stripe or must be noninsulated (bare).
2. Attach the opposite end of the wire to permanent earth ground using toothed washers or a toothed lug.

## Specifications

### AC Input Specifications for AC-Only Power Supply

Input voltage range.....90–135/180–265 VAC  
auto select

Input frequency range ...47 to 63 Hz

Input current.....8 A @ 115 VAC; 5 A @ 230 VAC

Power disconnect.....The power switch causes the power module to supply DC power to the PXI-1002 backplane. The power cord provides main power disconnect.



**Note** There are no user-replaceable fuses.

### Safety

UL 3111-1, IEC 1010-1, CSA 22.2 No. 1010.1; Installation Category II; Pollution Degree 2; Safety Class 1

### Backplane

Backplane bare-board material: UL 94 V-0 recognized (File No. E 96467); Backplane connectors: Conform to IEC 917 and IEC 1076-4-101, and are UL 94 V-0 rated

### DC Output Specifications for AC-Only Power Supply

Maximum power.....170 W

DC Current Capacity ( $I_{MP}$ )

Voltage	$I_{MP}$ (Steady-State Current)
+3.3 V*	14 A
+5 V*	20 A
+12 V	4 A
-12 V	0.8 A

\*Total combined power from +3.3 V and +5 V is 112 W max.

### Environmental

For indoor use only.

Operating temperature ..... 0 to 50 °C ambient

Storage temperature ..... -40 to +70 °C

Operating relative humidity ..... 10 to 90%, noncondensing

PXI™ is a trademark of National Instruments Corporation. Product and company names mentioned herein are trademarks or trade names of their respective companies.  
© Copyright 2000 National Instruments Corporation. All rights reserved.

National Instruments Corporate Headquarters: 11500 North Mopac Expressway,  
Austin, TX 78759-3504 USA Tel: 512-794-0100



322650A-01

Feb00